

DS-2CD2020F-I(W)



Key Features

- Up to 2 megapixel (1920 × 1080) resolution
- Standard video compression with high compression ratio, ROI (region of interest) encoding
- Progressive scan CMOS, capture motion video without incised margin
- Support dual stream, and the sub-stream for mobile surveillance
- High-performance and long service life Infrared LED, Approx. 20 to 30 meters IR range
- IR cut filter with auto switch
- Built-in Micro SD / SDHC / SDXC card slot, up to 64GB
- PoE (Power over Ethernet)
- Ingress Protection level: IP66
- Electronic shutter for different surveillance environments
- Other functions: alarm, reset button, mirror, etc
- Support intrusion detection and line crossing detection
- Support VCA, which is compatible with NVR for the second time of video searching and analysing

Specification

Model	DS-2CD2020F-I(W)
Parameter	2 Megapixel CMOS ICR Infrared Network Bullet Camera
Camera	
Image Sensor	1/2.8" Progressive Scan CMOS

Min. Illumination	0.01Lux @ (F1.2, AGC ON) ,0 Lux with IR 0.028Lux @ (F2.0, AGC ON) ,0 Lux with IR
Shutter Speed	1/3 s to 1/100,000 s
Lens	4mm@ F2.0, Angle of view: 85° (6mm optional)
Lens Mount	M12
Day &Night	IR cut filter with auto switch
Digital Noise Reduction	3D DNR
Wide Dynamic Range	Digital WDR
Compression Standard	
Video Compression	H.264/ MJPEG
Video Bit Rate	32 Kbps – 8 Mbps
Dual Stream	Yes
Image	
Max. Resolution	1920 × 1080
Frame Rate	50Hz: 25fps(1920 × 1080), 25fps (1280 × 960), 25fps (1280 × 720) 60Hz: 30fps(1920 × 1080), 30fps (1280 × 960), 30fps (1280 × 720)
Image Settings	Rotate mode, Saturation, Brightness, Contrast adjustable by client software or web browser
Backlight compensation	Yes, zone optional
ROI	Support
Network	
Network Storage	NAS (Support NFS,SMB/CIFS)
Alarm Trigger	Intrusion detection, Line crossing detection, Motion detection, Dynamic analysis, Tampering alarm, Network disconnect , IP address conflict, Storage exception
Protocols	TCP/IP,ICMP,HTTP,HTTPS,FTP,DHCP,DNS,DDNS,RTP,RTSP,RTCP, PPPoE,NTP,UPnP,SMTP,SNMP,IGMP,802.1X,QoS,IPv6,Bonjour
General	One-key reset, Flash-prevention, dual stream, heartbeat, mirror, password protection, privacy mask, watermark, IP address filtering, Anonymous access
Standard	ONVIF, PSIA, CGI, ISAPI
Interface	
Communication Interface	1 RJ45 10M/100M Ethernet interface
On-board storage	Built-in Micro SD/SDHC/SDXC card slot, up to 64 GB
Reset Button	Yes
Wi-Fi Specification(Only for the products with Wi-Fi module built-in)	
Wireless Standards	IEEE802.11b, 802.11g, 802.11n

Frequency Range	2.4 GHz ~ 2.4835 GHz
Channel Bandwidth	20/40MHz Support
Protocols	802.11b: CCK, QPSK, BPSK 802.11g/n: OFDM
Security	64/128-bit WEP, WPA/WPA2, WPA-PSK/WPA2-PSK, WPS
Transmit Output Power	11b: 17±1.5dBm @ 11Mbps 11g: 14±1.5dBm @ 54Mbps 11n: 12.5±1.5dBm
Receive Sensitivity	11b: -90dBm @ 11Mbps (Typical) 11g: -75dBm @ 54Mbps (Typical) 11n: -74dBm (Typical)
Transfer Rates	11b: 11Mbps 11g: 54Mbps 11n: up to 150Mbps
Wireless Range	50m(depend on environment)
General	
Operating Conditions	-30 °C – 60 °C (-22 °F – 140 °F) Humidity 95% or less (non-condensing)
Power Supply	12 V DC ± 10% , PoE (802.3af)
Power Consumption	5W MAX (Max. 7 W as IR cut filter on)
Ingress Protection level	IP66
IR Range	30 meters
Dimensions	60.4×76.9×139.28 mm (2.4" × 3.0" × 5.5")
Weight	500g (1.1 lbs)

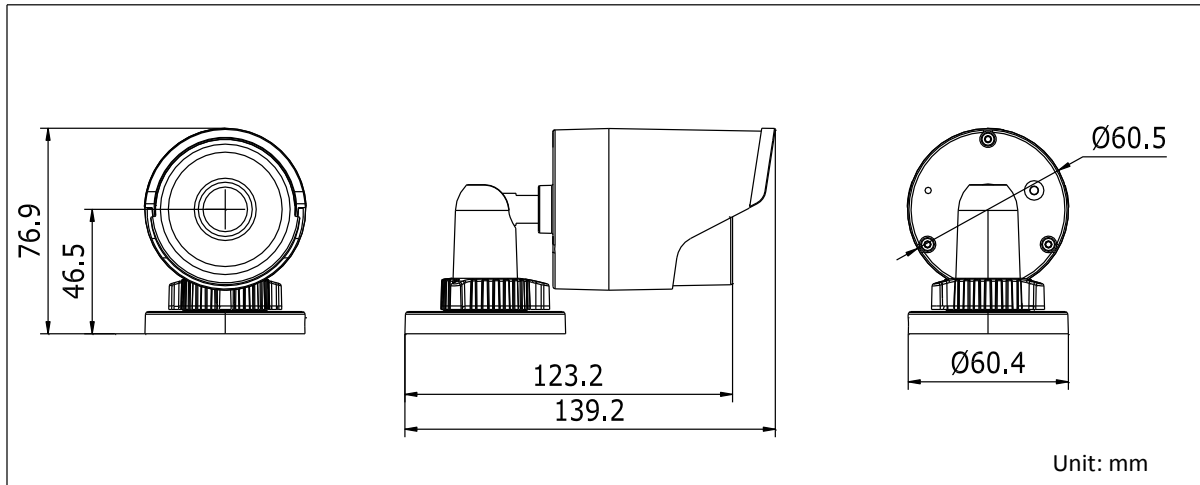
Order Models

DS-2CD2020F-I, DS-2CD2020F-IW



www.kamera.vn

Dimensions



Kamera
Nâng Tầm Công Nghệ · Kết Nối Thành Công



www.kamera.vn