

**DS-2CE16H0T-ITPF**  
**5 MP Bullet Camera**



**Key Features**

- 5 MP high performance COMS
- 2560 × 1944 resolution
- 2.8 mm, 3.6 mm, 6 mm fixed lens
- EXIR 2.0, smart IR, up to 20 m IR distance
- OSD menu, 2D DNR, DWDR
- 4 in 1 video output (switchable TVI/AHD/CVI/CVBS)
- IP67
- Up the coax (HIKVISION-C)



## Specification

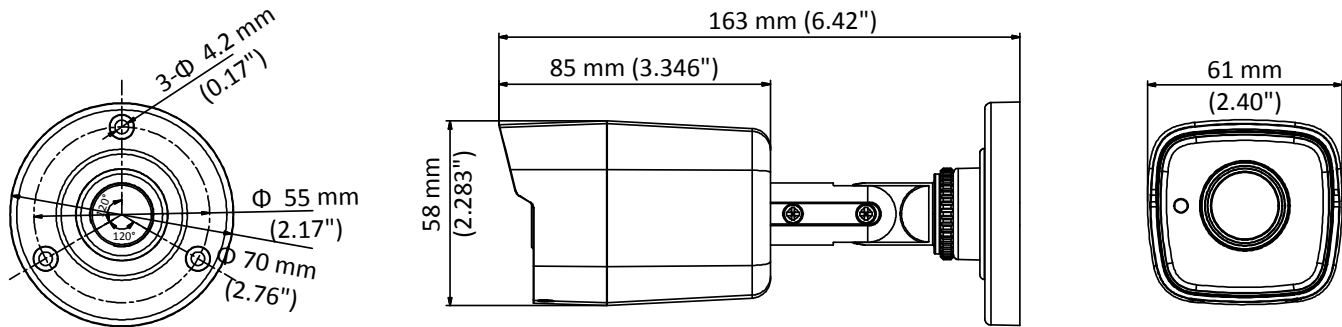
| <b>Camera</b>                     |   |
|-----------------------------------|---|
| Image Sensor                      | 5 MP CMOS image sensor  |
| Resolution                        | 2560 (H) × 1944 (V)   |
| Min. Illumination                 | Color: 0.01 Lux @ (F1.2, AGC ON), 0 Lux with IR                                       |
| Shutter Time                      | PAL: 1/25 s to 1/50, 000 s<br>NTSC: 1/30 s to 1/50, 000 s                             |
| Lens                              | 2.8 mm, 3.6 mm, 6 mm fixed lens   |
| Horizontal Field of View          | 85.5° (2.8 mm), 80.1° (3.6 mm), 57.1° (6 mm)  |
| Lens Mount                        | M12   |
| Day & Night                       | IR cut filter   |
| Angle Adjustment                  | Pan: 0° to 360°; Tilt: 0° to 180°; Rotate: 0° to 360°                                 |
| Synchronization                   | Internal synchronization  |
| Frame Rate                        | PAL: 5 MP@20fps, 4 MP@25fps, 1080p@25fps<br>NTSC: 5 MP@20fps, 4 MP@30fps, 1080p@30fps |
| <b>Menu</b>                       |   |
| AGC                               | Support   |
| D/N Mode                          | Auto/Color/BW (Black and White)   |
| White Balance                     | ATW/MWB   |
| BLC                               | Support   |
| DWDR (Digital Wide Dynamic Range) | Support   |
| Language                          | English   |
| Functions                         | Brightness, Sharpness, DNR, Mirror, Smart IR  |
| <b>Interface</b>                  |   |
| Video Output                      | 1 HD analog output  |
| Switch Button                     | TVI/AHD/CVI/CVBS  |
| <b>General</b>                    |   |
| Operating Conditions              | -40 °C to 60 °C (-40 °F to 140 °F), humidity: 90% or less (non-condensation)          |
| Power Supply                      | 12 VDC ±25%   |
| Power Consumption                 | Max. 4.3 W  |
| Protection Level                  | IP67  |
| Material                          | Plastic   |
| IR Range                          | Up to 20 m  |
| Communication                     | Up the coax, Protocol: HIKVISION-C (TVI output)                                       |
| Dimensions                        | 58 mm × 61 mm × 163 mm (2.28" × 2.40" × 6.42")  |
| Weight                            | Approx. 350 g (0.77 lb.)  |



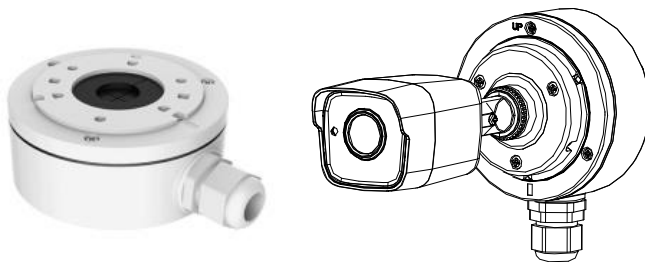
**Order Model**

DS-2CE16H0T-ITPF

**Dimension**



**Accessory**



DS-1280ZJ-XS Junction Box

Distributed by



**HIKVISION**

**Headquarters**

No.555 Qianmo Road, Binjiang District,  
Hangzhou 310051, China  
T +86-571-8807-5998  
overseasbusiness@hikvision.com

**Hikvision USA**  
T +1-909-895-0400  
sales.usa@hikvision.com

**Hikvision Europe**  
T +31-23-55-42-770  
info.eu@hikvision.com

**Hikvision Middle East**  
T +971-4-8816086  
salesme@hikvision.com

**Hikvision Russia**  
T +7-495-669-67-99  
saleru@hikvision.com

**Hikvision India**  
T +91-22-28469900  
sales@pramahikvision.com

**Hikvision Italy**  
T +39-0438-6902  
info.it@hikvision.com

**Hikvision France**  
T +33(0)1-85-330-450  
info.fr@hikvision.com

**Hikvision Spain**  
T +34-91-737-16-55  
info.es@hikvision.com

**Hikvision Poland**  
T +48-22-460-01-50  
poland@hikvision.com

**Hikvision UK**  
T +01628-902140  
support.uk@hikvision.com

**Hikvision Singapore**  
T +65-6684-4718  
sg@hikvision.com

**Hikvision Oceania**  
T +61-2-8599-4233  
salesau@hikvision.com

**Hikvision Canada**  
T +1-909-895-0400  
sales.usa@hikvision.com

**Hikvision Korea**  
T +82-31-731-8841  
sales.korea@hikvision.com

**Hikvision Brazil**  
T +55 11 3318-0050  
Latam.support@hikvision.com

**Hikvision Africa**  
T +27 (0) 0351172  
sale.africa@hikvision.com

**Hikvision Hong Kong**  
T +852-2151-1761